

## 46 QP - WATERTIGHT BOARDS IN POLYESTER - IP65

### TECHNICAL CHARACTERISTICS

Standard: EN 60439-1; EN60439-4; EN 62208; CEI 23-48; CEI 23-49

Degree of protection: IP 65

Protection against indirect contacts: double insulation - (\*)

Installation temperature: Max +60°C; Min -25°C

Maximum nominal operating voltage: 690V

Material: Fibreglass-reinforced polyester, Halogen-Free according to EN 50267-2-2

Impact resistance: IK 10

Resistance to abnormal heat and fire: Thermo-pressure with ball 200°C

Glow wire test 960°C blank door versions

Glow wire test 650°C transparent door versions

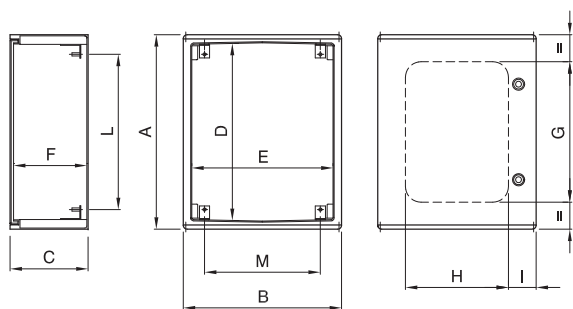
(\*) Total insulation in compliance with EN 61140 Standard, ensured by GW 46 451 and GW 46 446 brackets.

### BEHAVIOUR WITH CHEMICAL AND ATMOSPHERIC AGENTS

Saline solution	Acids		Bases		Solvents				Mineral oil	UV rays
	Concentrated	Diluted	Concentrated	Diluted	Hexane	Benzol	Acetone	Ethyl alcohol		
Resistant	Limited resistance	Limited resistance	Limited resistance	Limited resistance	Limited resistance	Limited resistance	Not resistant	Limited resistance	Resistant	Resistant

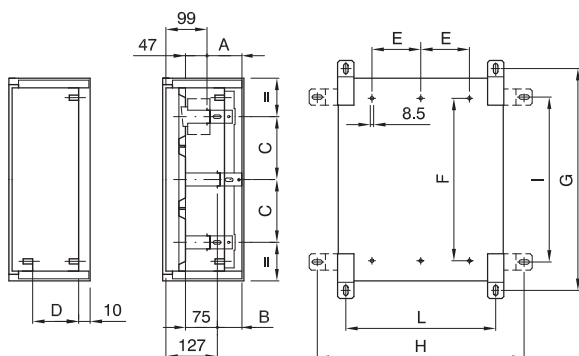
## DIMENSION TABLES

### BOARDS



BOARDS CODE	GW 46 001 GW 46 201	GW 46 002 GW 46 202	GW 46 003 GW 46 203	GW 46 004 GW 46 204	GW 46 005 GW 46 205	GW 46 006 GW 46 206	GW 46 007 GW 46 207
A	300	424	499	649	649	799	1060
B	250	313	406	406	514	586	777
C	160	160	200	200	250	300	350
D	251	375	450	600	600	750	1000
E	206	269	362	362	470	542	722
F	154	154	194	194	244	294	342
G	205	310	360	510	510	650	827
H	140	169	264	264	380	440	577
I	71	71	71	71	71	71	100
L	203	327	402	552	552	702	952
M	141	202	297	297	405	477	657

### Adjustment and fixing centres for watertight boards in polyester



BOARDS CODE	GW 46 001 GW 46 201	GW 46 002 GW 46 202	GW 46 003 GW 46 203	GW 46 004 GW 46 204	GW 46 005 GW 46 205	GW 46 006 GW 46 206	GW 46 007 GW 46 207
A	-	55	95	95	145	195	245
B	-	27	67	67	117	167	217
C	-	125	150	150	150	150	200
D	85	85	125	125	175	225	275
E	53	84,5	131	131	184	221	307
F	185	309	384	534	470	620	860
G	348	472	547	697	695	845	1088
H	311	374	467	467	573	643	819
I	208	332	407	557	557	705	948
L	171	234	327	327	433	507	679