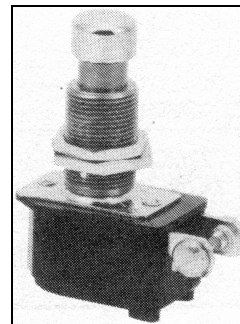
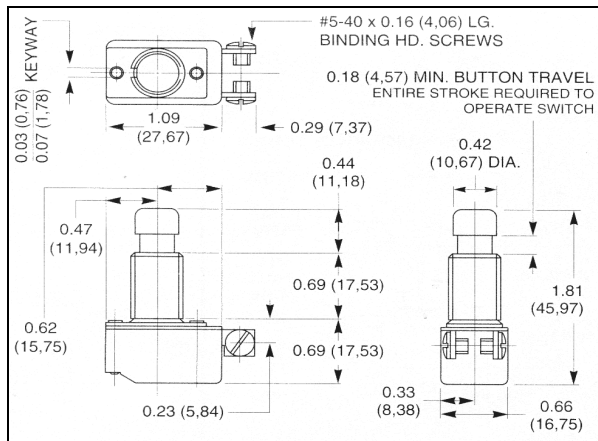


Pushbutton Switches

7208K104

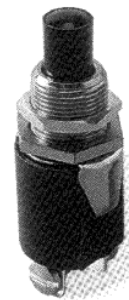
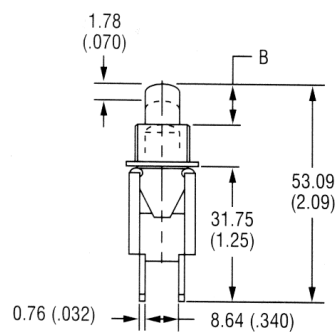
3 Amp SPST, Push-on; Push-off, Screw terminals



S30 Pushbuttons:

S30E: Normally closed (on): Push to break. Screw terminals only

S30AE: Normally open (off): Push to make. Spade terminals only



S50E & S51E: Specify

S50E: Normally closed (on): Push to break.

S51E: Normally open (off): Push to make.

